



# Model 88S SuperFast

## Continuous Ink Jet Printer

SuperFast Speeds for Coding and Marking Applications.  
Canning. Bottling. Wire and Cable Manufacturing.

Designed for the highest-speed production lines around the world. Print real-time “Best By,” “Lot Code,” “Sell By,” “Expiration Date,” and other identifying marks and codes on any substrate.

The Model 88S SuperFast prints fast, high-quality single, and twin line codes, barcodes, and graphics on the highest-speed bottling, canning, and wire/cable production lines.

A complete range of specialized inks is available for glass bottles, returnable bottles, wet glass bottle coding, plastics, metal, thermosensitive color-change inks, and more.

Typical applications mark and code one, two, or three shifts per day, or 24/7 operations five to seven days per week, averaging 4,000–8,760 hours of annual operation. Integrated RS-232 and programmable inputs/outputs enable remote control and communications.

Systems are simplified to allow anyone to operate, minimizing operator touches and extending time between human interaction.



bestCode  
continuous innovations

### PRINT CAPABILITIES

#### LINES OF PRINT—

1, or 2 lines of text, graphics and barcodes.

#### IMAGE HEIGHT—

from .06" (1.5 mm) to .50" (12 mm).

#### NON-CONTACT PRINTING—

ink throw distances from .5" (12 mm) up to 1" (25 mm).

#### PRINT SPEEDS—

up to 2000 feet/minute (600 meters/minute) for single line of print, up to 600 feet/minute (200 meters/minute) for two lines of print.

- **CleanStart™** – Automatically cleans the printhead, eliminating daily and weekly cleanings.
- **10.4" Color Touch Screen** – Always-on, vivid display with large, intuitive buttons and status indicators.
- **OneTouch™** – Single-step operator functions reduce operator steps.
- **Large Volume Ink Tanks** – Refills accomplished in less than a minute with no waste.
- **AutoOff™ Go Home Button** – Automates and eliminates time-consuming, end-of-day manual routines.

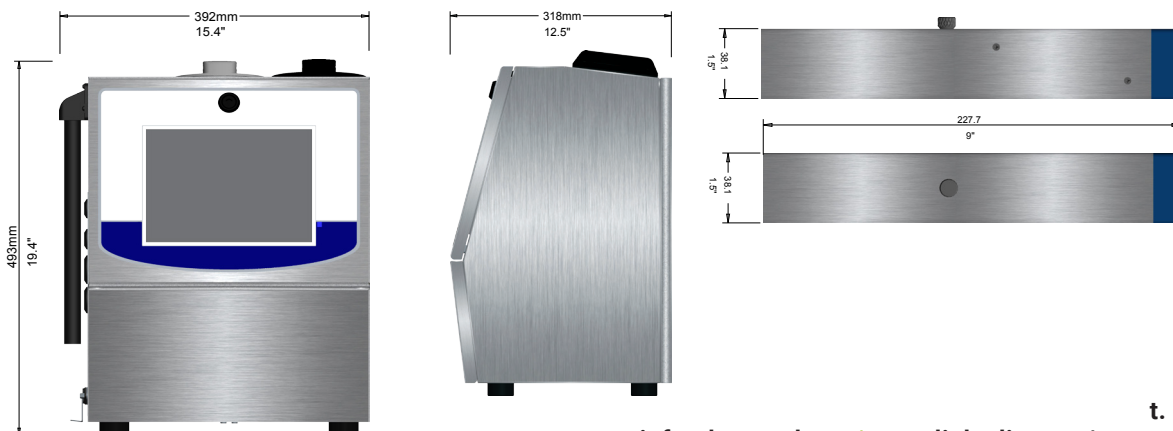
## THE CLOSER YOU LOOK

The Better BestCode Looks!



# Model 88S SuperFast Specifications

Printhead	Continuous Ink Jet (CIJ) Technology, Single Printhead Control
User Interface	10.4" (264 mm) Color LCD Touch Screen, Icon-Based Graphical User Interface (GUI)
Lines of Print	1 or 2 Lines of Text, 16 Dot
Print Fonts	5, 7, 9, 12, 16
Adjustable Print Height	.06" (1.5 mm) - .50" (12 mm)
Print Speed	1 Line: 2,000 feet/minute (600 m/minute); 2 Line: 600 feet/minute (200 m/minute)
Ink Throw Distance	True Non-Contact Printing, .5" (12 mm) - 1" (25 mm)
Electronic Hardware	32-Bit ARM 9, 208 MHz Processor
Storage	4 GB Solid State Drive, 16 MB Flash, 128 MB RAM, USB Interface (thumb drive)
Machine Interface	RS-232, Ethernet
Inputs	1 Photocell, 1 Photocell or Programmable Input, 1 Shaft Encoder, 8 Field Programmable Inputs, Remote Message Selection Option – 256 possible selections
Outputs	4 Alarm Outputs, 1 Relay Output
Enclosure Material	Stainless Steel
Ingress Protection	IP65
SmartFilter™ Life	2,000, 5,000 or 10,000 operation hours, application dependent
Operating Environment	Temperature: 32°–122°F (0°–50°C); Relative Humidity: 10–90% (non-condensing)
Electrical Requirements	Auto Ranging: 100–240 VAC (3 Amp); Frequency: 50–60 Hz; Power Consumption: 50 W
Compliance	CE Certified, RoHS Compliant
Message / Code Creation	Dynamic Message Storage (over 500 messages), WYSIWYG Message Editing, Drag/Drop Field-Based Formatting, Multi-National (Unicode) Character Printing, Download Fonts, Integrated Font Editor, Real and Expiration Time and Date, Shift and Rollover Functions, Product and Batch Counting, Remote Count Resets, Download Graphics and Integrated Graphic Editor, Continuous and Repeat Print, Auto Reverse/Traverse Print
Operation Features	Icon-Based Operation, Single Button Start, Single Button Stop/Power Off, Password Security, Automatic Diagnostics, Error and Activity Logs, Service Reminders, Backup/Restore Functions, USB Load Firmware, Multiple Operator Languages, Downloadable Languages
Ink Delivery	SmartFill™ Ink Bottle: 32 oz (946 ml); SmartFill™ Makeup Bottle: 32 oz (946 ml)
Fluid Capacity	Ink Capacity: 68 oz (2 liters); Makeup Capacity: 102 oz (3 liters)
Ink Types	Quick Dry to Immediate. Complete Ink Range: MEK, Acetone, Ethanol and Blends
Ink Colors	Black, Blue, Red, Green, Yellow, Orange, Invisible
Specialist Inks	Thermo Color Change, Wet Bottle, Caustic Washable, Plastic, Eco-Friendly, Alcohol Resistant, Military Spec.
Printhead Umbilical	10 feet (3 meters); 15 feet (4.5 meters) option
PrintheadOptions	Right Angle Printhead
Weight	45 lbs (20 kg)
Optional Accessories	Alarm Beacon, Photocells, Mountings, Shaft Encoder, AirFlow™ Positive Air Kit (for high dust), Printhead Wash Station; Factory Air Kit Option Available (Machine and Printhead Dust Control)
Warranty	2 Year Limited Manufactures Warranty



By request, BestCode can adapt hardware and software to meet specific application demands.

**bestCode**  
continuous innovations

t. 817.349.8555 | f. 817.349.8480

info@bestcode.co | www.linkedin.com/company/bestcode | www.bestcode.co